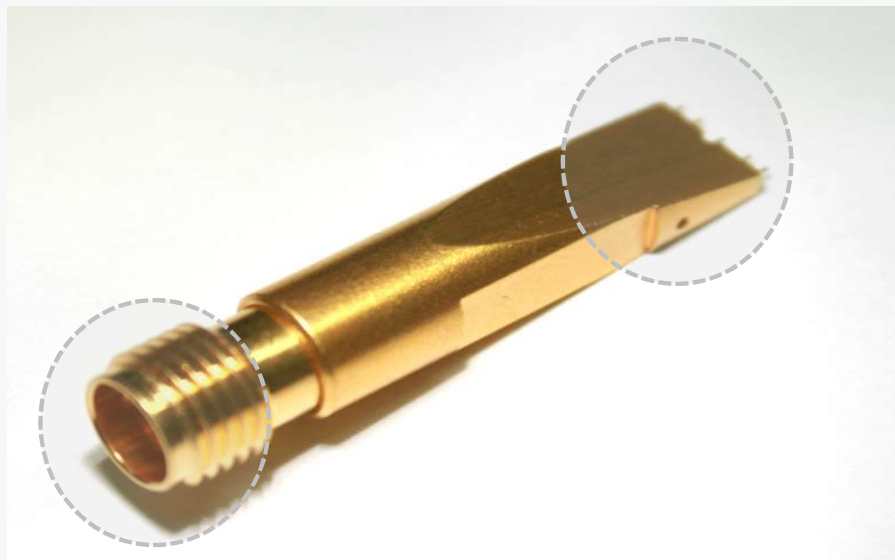


■ **Specification**

| Scope | Items | Specification |
|------------|----------------|---|
| Electrical | Freq. range | DC to 20 GHz (3.5 mm Connector) DC to 40 GHz (2.92 mm Connector) |
| | Insertion loss | < 0.5 dB |
| | Return loss | < 10 dB |
| Mechanical | Connector type | 3.5 mm & 2.92 mm connector |
| | Probe pitch | 0.8/1.5/2.5 mm (from signal to ground) |
| | Pin type | Pogo Structure |

* RoHS Compliant

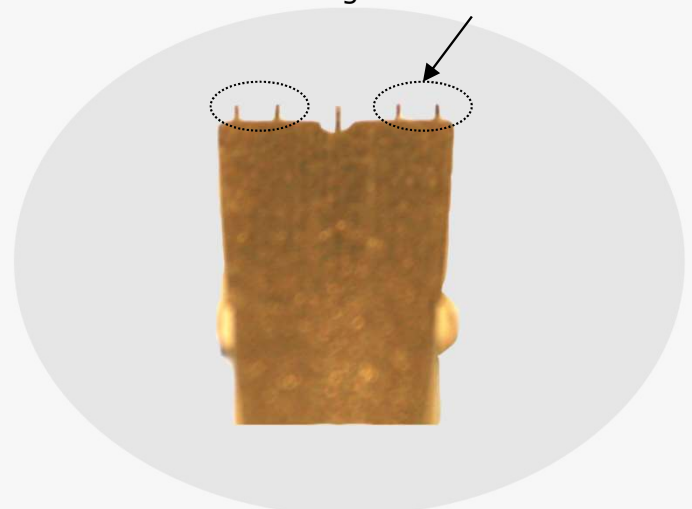


Pogo Pin



Crown type

Ground **Signal** **Ground**

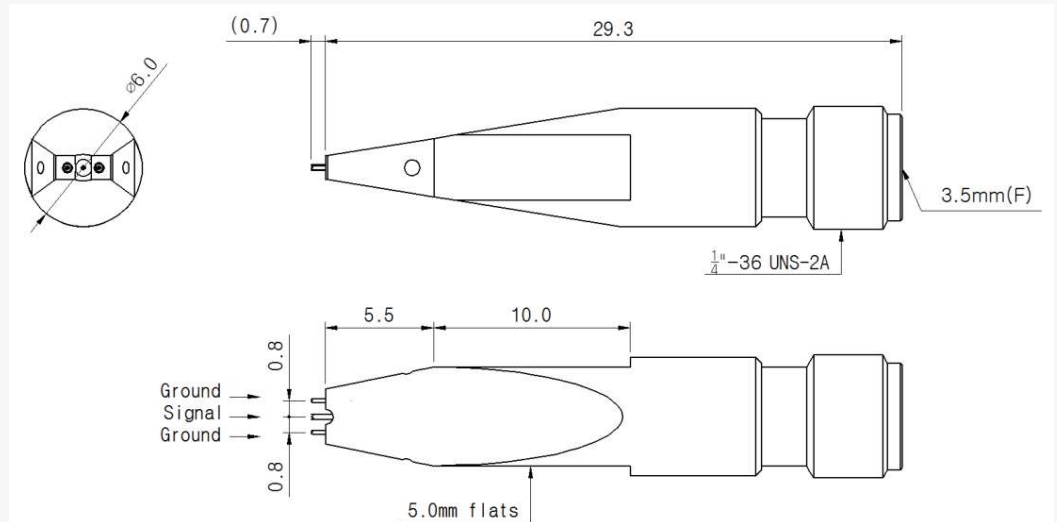


Interface : 3.5 mm type (DC to 20 GHz)
 2.92 mm type (DC to 40 GHz)

■ Drawing

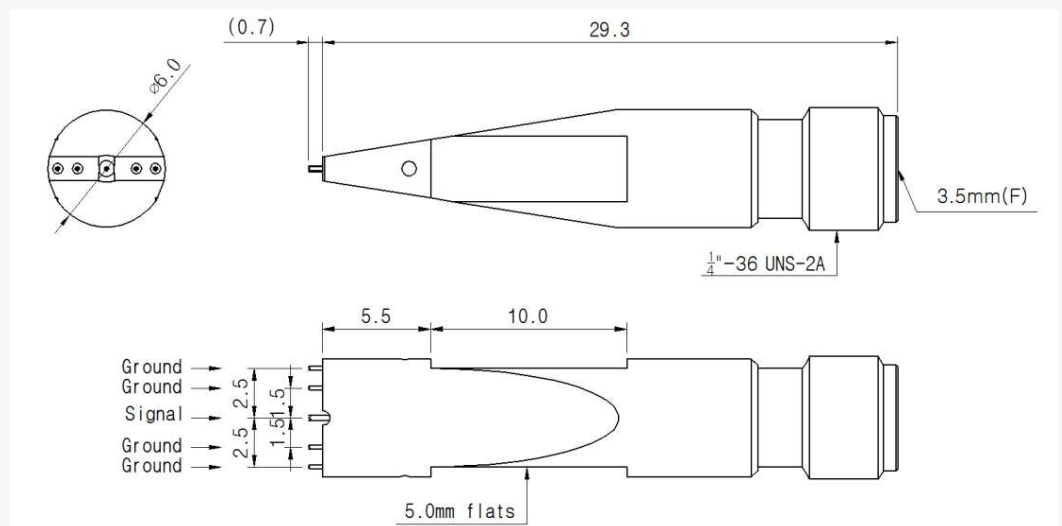
Unit : mm

Part No : FPU-03G-01
FPU-04G-01



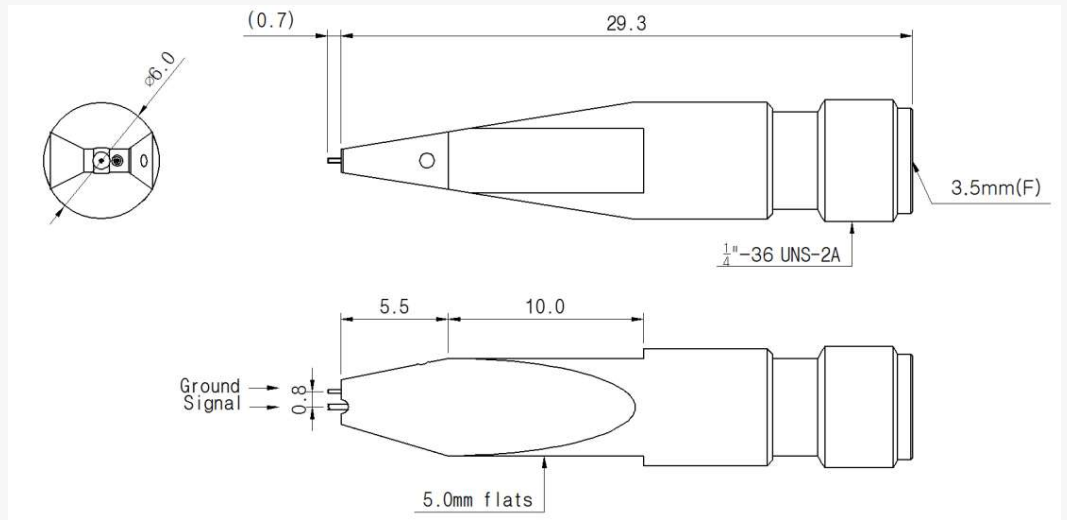
Unit : mm

Part No : FPU-03G-02
FPU-04G-02

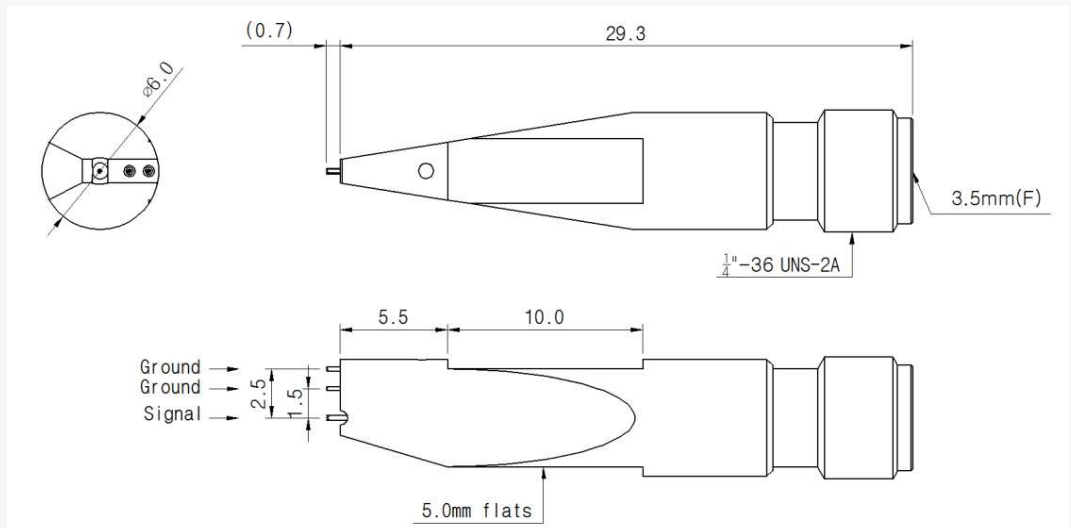


■ **Drawing**

**Part No : FPU-03S-01
FPU-04S-01**



**Part No : FPU-03S-02
FPU-04S-02**



■ Specification

| Scope | Items | Part No: PP-01 |
|------------|----------------|---|
| Mechanical | Arm Length | L1 : 93 mm L2 : 73 mm L3 : 68 mm Total Length : 262 mm |
| | Hole Diameter | 6.0 mm (with metal ring) 7.8 mm (without metal ring) |
| | Magnetic Base | Size (mm): 50 x 65 x 55 |
| | Base plate | Size (mm) : 120 x 90 Material : Steel |
| | Weight (Total) | 2,145 g |

